

PRODUCT INFORMATION PACKET



Model No: 5KC46JN0002X

Catalog No: 5KC46JN0002X

General Purpose Motor, 0.75 HP, 1 Ph, 60 Hz, 115/208-230 V, 1800 RPM, 56 Frame, DP



Regal and Leeson are trademarks of Regal Rexnord Corporation or one of its affiliated companies.

©2024 Regal Rexnord Corporation, All Rights Reserved. MC017097E





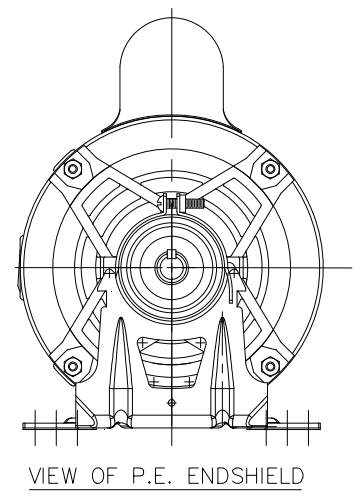
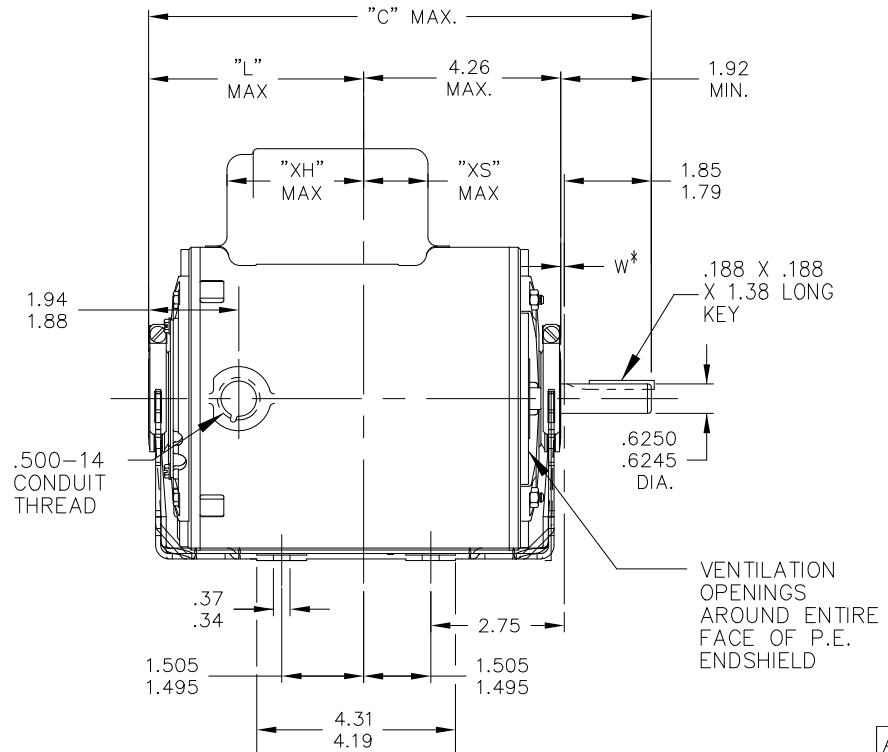
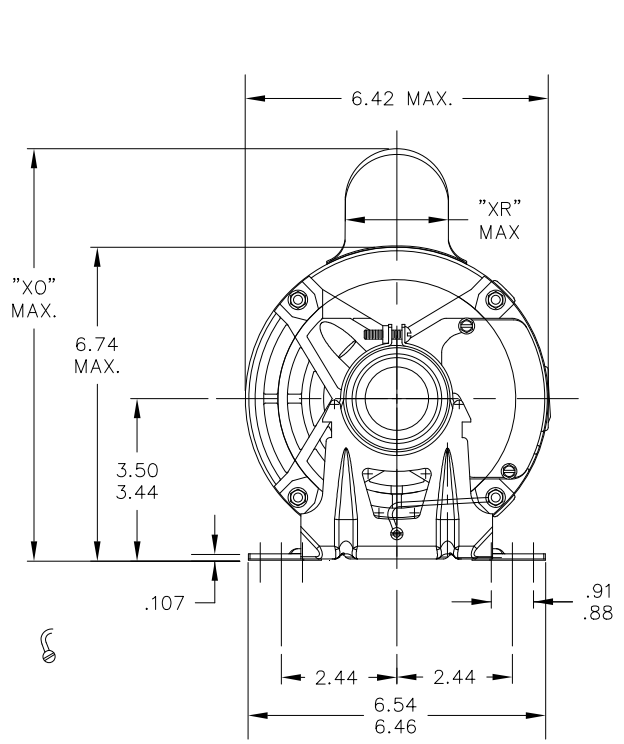
Nameplate Specifications

Phase	1	Output HP	0.75 Hp
Output KW	0.56 kW	Voltage	115/208-230 V
Speed	1725 rpm	Service Factor	1.25
Frame	56	Enclosure	Drip Proof
Thermal Protection	Automatic	Efficiency	68 %
Ambient Temperature	40 °C	Frequency	60 Hz
Current	11.4,5.6-5.7 A	Power Factor	0
Duty	Continuous	Insulation Class	B
KVA Code	K	Drive End Bearing Size	6203
Opp Drive End Bearing Size	6203	UL	Recognized
CSA	Yes	CE	N
IP Code	22	Number of Speeds	1

Technical Specifications

Electrical Type	Capacitor Start Induction Run	Starting Method	SM
Poles	4	Rotation	Counterclockwise/Clockwise
Mounting	Resilient Base	Motor Orientation	ANY
Drive End Bearing	BALL	Opp Drive End Bearing	BALL
Frame Material	Rolled Steel	Overall Length	10.88 in
Frame Length	6.55 in	Shaft Diameter	0.630 in
Shaft Extension	1.88 in		
Outline Drawing	52A107622P9	Connection Drawing	52A105383AA

This is an uncontrolled document once printed or downloaded and is subject to change without notice. Date Created:09/18/2024



ALL DIMENSIONS ARE IN INCHES

CONTINUED ON 52A107799

*W IS A VARIABLE CLEARANCE DUE TO VARIATIONS IN PARTS AND ASSEMBLY

9	KC	46	56	10.78	4.62	2.92	8.94	2.40	2.82		6.55
8	KC	49	56	11.38	5.22	3.63	8.62	2.08	2.12		7.15
7	KC	46	56	10.78	4.62	2.18	8.94	2.40	2.36		6.55
6	KC	49	56	11.38	5.22	3.63	8.22	1.60	2.12		7.15
5	KC	46	56	10.78	4.62	3.03	8.22	1.60	2.73		6.55
4	KC	42	56	9.95	3.79	2.20	8.22	1.60	2.34		5.72
3	KC	49	56	11.38	5.22	3.63	8.94	2.40	2.12		7.15
2	KC	42	56	9.95	3.79	2.20	8.94	2.40	2.34		5.72
1	KC	46	56	10.78	4.62	3.03	8.94	2.40	2.73		6.55
P	TYPE	FR SIZE	NEMA FR.	"C"	"L"	"XH"	"XO"	"XR"	"XS"		MIN. SHELL



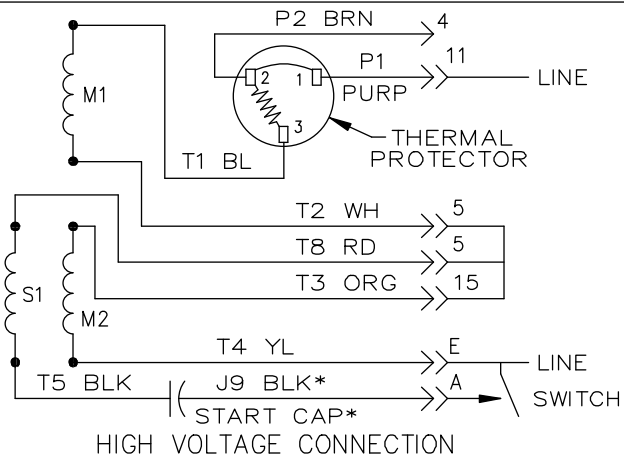
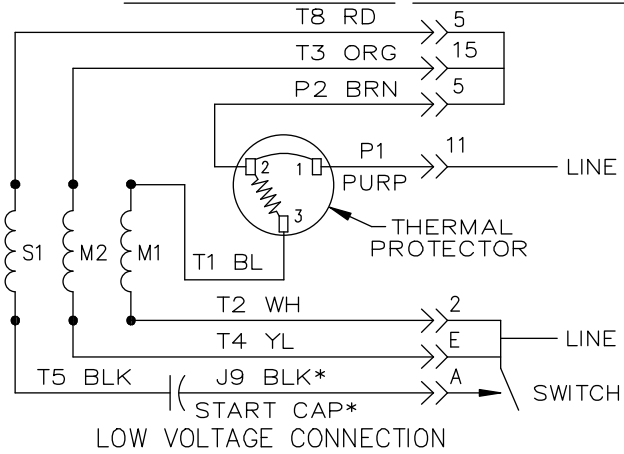
NO.	REVISION	BY & DATE	CHK	TOLERANCES UNLESS SPECIFIED		FINISH
				DEC.	INCHES	
15	ADDED GROUND SCREW AS PER ECR-0228170	MP 09/08/23		.X	±.1	
14	CHANGED BASE PER ECR-0220283	AP 08/19/22	SN	.XX	±.03	
13	ADDED PART # 8 PER SAMPLE DS13-2295	UD 06/21/13	GRB	.XXX	±.005	
12	CHG "XS" DIMENSION PER IS08-2395	MD 07/01/08		.XXXX	±.0005	
				ANG	±1/2"	

DRAWN M.D.P 09/17/90	
CHK M.D.P 09/17/90	
APPD	
SCALE 3=8	
REF	
FMF	
PREV	

THIS DRAWING IN DESIGN AND DETAIL IS OUR PROPERTY AND MUST NOT BE USED EXCEPT IN CONNECTION WITH OUR WORK ALL RIGHTS OF DESIGN AND INVENTION ARE RESERVED THIS IS AN ELECTRONICALLY GENERATED DOCUMENT - DO NOT SCALE THIS PRINT

RFP	CAD FILE	52A107622	SIZE	DRAWING NO.	REV.
DIST	3 of 4		A	52A107622	14

EITHER ROTATION, DUAL VOLTAGE, TYPE KC OR KH, WITH THERMAL PROTECTION



NOTE #1 - START CAP & J9 WHEN SPECIFIED (*). IF NO CAPACITOR (KH), CONNECT T5 DIRECTLY TO SWITCH (A). WHEN MORE THAN ONE CAPACITOR IS USED, CONNECT IN PARALLEL.

NOTE #2 - TO REVERSE ROTATION, INTER CHANGE RD(T8) AND BLK(J9-KC OR T5-KH) LEADS.

SWITCH REF. - 115D958AB	CONNECTION LABEL	CCW ROTATION: NP52X332051AA
		CW ROTATION: NP52X332051AC

NO.	REVISION	BY & DATE	CHK	TOLERANCES UNLESS SPECIFIED		FINISH	DRAWN	M.D.P	DATE			
				DEC.	INCHES							
				.X	±0.1				06/29/87			
				.XX	±0.02							
5	ADDED CONNECTION LABEL PER ECO-0030779	UD 02/06/13	PKG	.XXX	±0.005							
4	UPDATED PER ISO7-0150	MD 01/23/07		.XXXX	±0.0005	MAT'L.						
				ANG	±1.0							
THIS DRAWING IN DESIGN AND DETAIL IS OUR PROPERTY AND MUST NOT BE USED EXCEPT IN CONNECTION WITH OUR WORK. ALL RIGHTS OF DESIGN AND INVENTION ARE RESERVED. THIS IS AN ELECTRONICALLY GENERATED DOCUMENT - DO NOT SCALE THIS PRINT							RFP	CAD FILE	52A105383AA	SIZE	DRAWING NO.	REV.
							DIST			A	52A105383AA	5



TITLE CONNECTION DIAGRAM
30 FRAME SWITCH REDESIGN